

Product Finish: Gun Metal

Product code: AT2211
 EAN13 barcode: 5060879994232



Note: the image shown may not reflect the product finish, chrome finish is typically depicted.

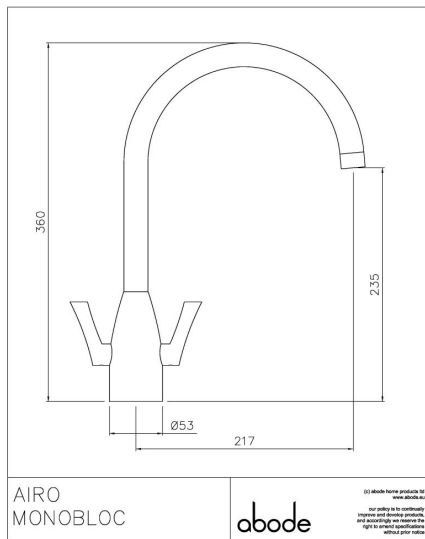
Product features:

- Subtle soft sweeping design form
- Quarter turn handle action for precise flow control
- 304 grade brushed stainless steel construction
- Antisplash spout supplied as standard
- Supplied complete with flexible tail pipes for fast simple fitting

Additional information / Parts included:

Includes 2.5mm Allen key, triangular stabiliser & high flow aerator

Product dimensions:

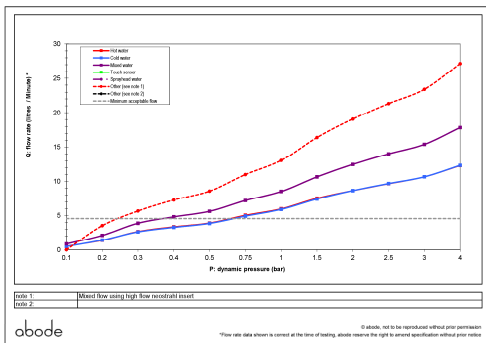


- Overall, Height / projection: 360 mm
- Exit reach: 217 mm
- Exit height: 235 mm
- Centre distance(s):
- Base diameter(s): 53 mm
- Recommended hole diameter: Ø 35 mm
- Max. surface depth: 45 mm
- Spout diameter: 24 mm
- Spout aerator size: 22mm

Packaged properties:

Box length: mm	Box depth: mm
Box width: mm	Units per outer: 5
Tap only weight: kg	Boxed weight: kg

Product flow characteristics:



- Min / Max water pressure: 0.30 / 5.5 bar
- Recommended / Max water temperature: 46°C / 70°C
- Part G - Mixed flow rate at 3 bar (litres / min): 23.40
- Control valve type: Ceramic disc QT
- Product flow characteristics: Single flow
- Non return valve(s): Hot & cold (integral to tails)
- Aerator type: Light blue honeycomb & hi-flow neostrahl
- Accepts revolve / spray areator: No
- Spout connection method: Grub screw
- Tail pipe inlet / outlet size: M12 / 1/2" BSP Male
- Inlet pipe type / length: flexible stainless braided hose / 245 mm

Care instructions summary:

- Clean the mixers and showers regularly as required, using soap, do not use any other cleaners.
- Regular cleaning will prevent the build-up of lime scale and dirt
- After cleaning rinse thoroughly with clean water to remove any cleaner residue
- Residues of sink & worktop cleaners can also cause damage, so rinse with clean water after using, avoid contact with any abrasives

Warranty Summary (Full details available on request):

- Materials and workmanship defects warranted for 5 years
- Valves and working parts warranted for 5 years
- Surface warranty defects warranted for 1 year
- O-rings, hoses & gaskets warranted for 1 year