

Product Finish: Antique Brass

Product code: AT2234  
EAN13 barcode: 5060879994584



**Product features:**

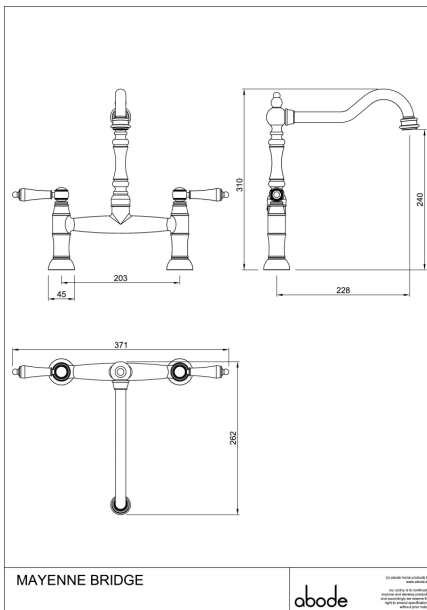
- Traditional French provincial styling
- Quarter turn handle action for precise flow control
- Metal construction throughout
- Flow Limited to 5 Litres per Minute for Part G compliance
- Supplied with fixed 1/2" inlets

**Additional information / Parts included:**

Includes additional Honeycomb 1.5gpm

Note: the image shown may not reflect the product finish, chrome finish is typically depicted.

**Product dimensions:**



- Overall, Height / projection: 310 mm
- Exit reach: 228 mm
- Exit height: 240 mm
- Centre distance(s):

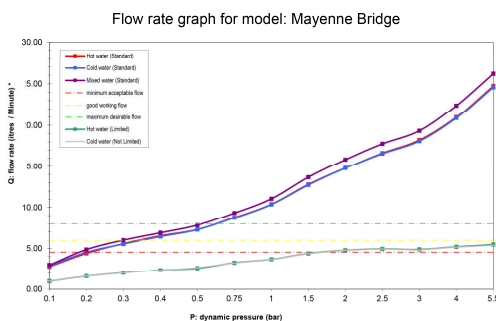
- Base diameter(s): 45 mm
- Recommended hole diameter: Ø 35 mm
- Max. surface depth: 50 mm

- Spout diameter: 20 mm
- Spout aerator size: M22 x 1

**Packaged properties:**

- Box length: 575mm
- Box depth: 80mm
- Box width: 350mm
- Units per outer: 5
- Tap only weight: 2.33kg
- Boxed weight: 3.41kg

**Product flow characteristics:**



- Min / Max water pressure: 0.20 / 5 bar
- Recommended / Max water temperature: 46°C / 70°C
- Part G - Mixed flow rate at 3 bar (litres / min): 19.34

- Control valve type: Ceramic disc QT
- Product flow characteristics: Single flow
- Non return valve(s): None

- Aerator type: Honeycomb Aerator
- Accepts revolve / spray areator: No
- Spout connection method: Grub screw

- Tail pipe inlet / outlet size: N/A / 1/2" BSP Male
- Inlet pipe type / length: Fixed threaded inlets / 120 mm

**Care instructions summary:**

- Clean the mixers and showers regularly as required, using soap, do not use any other cleaners.
- Regular cleaning will prevent the build-up of lime scale and dirt
- After cleaning rinse thoroughly with clean water to remove any cleaner residue
- Residues of sink & worktop cleaners can also cause damage, so rinse with clean water after using, avoid contact with any abrasives

**Warranty Summary** (Full details available on request):

- Materials and workmanship defects warranted for 5 years
- Valves and working parts warranted for 5 years
- Surface warranty defects warranted for 1 year
- O-rings, hoses & gaskets warranted for 1 year