

Product Finish: Brushed Brass

Product code: AT2243  
EAN13 barcode: 5060879994980



**Product features:**

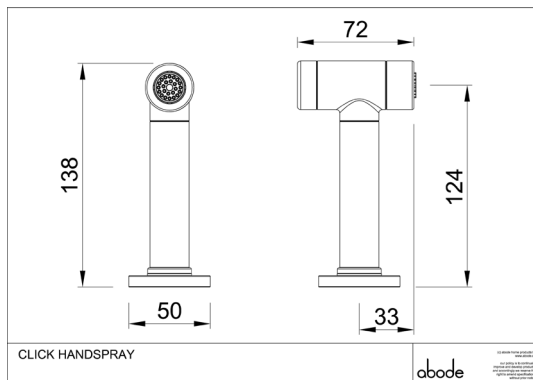
- Minimalist planate design form
- Flow Limited to 5 Litres per Minute for Part G compliance
- 1.5M pull out nylon sprayhead hose
- Single spray pattern showerhead
- Connects to any water supply, works independently of the tap

**Additional information / Parts included:**

SCO0616400000 Fixing kit

Note: the image shown may not reflect the product finish, chrome finish is typically depicted.

**Product dimensions:**



- Overall, Height / projection:** 138 mm
- Exit reach:** 33 mm
- Exit height:** 124 mm
- Centre distance(s):**

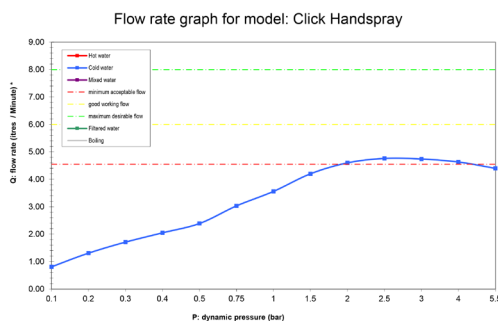
- Base diameter(s):** 50 mm
- Recommended hole diameter:** Ø 35 mm
- Max. surface depth:** 50 mm

- Spout diameter:** 30 mm
- Spout aerator size:** M24 x 1

**Packaged properties:**

- Box length:** 330mm
- Box depth:** 70mm
- Box width:** 130mm
- Units per outer:** 10
- Tap only weight:** 0.68kg
- Boxed weight:** 0.97kg

**Product flow characteristics:**



- Min / Max water pressure:** 1.50 / 5 bar
- Recommended / Max water temperature:** 46°C / 70°C
- Part G - Mixed flow rate at 3 bar (litres / min):** 04.74

- Control valve type:** On - Off Cartridge
- Product flow characteristics:** Single flow
- Non return valve(s):** Yes, located in handpray body

- Aerator type:** Spray 5lpm
- Accepts revolve / spray areator:** No
- Spout connection method:** N/A

- Tail pipe inlet / outlet size:** N/A / N/A
- Inlet pipe type / length:** N/A / N/A mm

**Care instructions summary:**

- Clean the mixers and showers regularly as required, using soap, do not use any other cleaners.
- Regular cleaning will prevent the build-up of lime scale and dirt
- After cleaning rinse thoroughly with clean water to remove any cleaner residue
- Residues of sink & worktop cleaners can also cause damage, so rinse with clean water after using, avoid contact with any abrasives

**Warranty Summary** (Full details available on request):

- Materials and workmanship defects warranted for 5 years
- Valves and working parts warranted for 5 years
- Surface warranty defects warranted for 1 year
- O-rings, hoses & gaskets warranted for 1 year